

# KEOFITT SAMPLING BAG™

- designed to collect liquid process samples in a hygienic, safe and efficient way.

WORLD  
PREMIERE



# THE KEOFITT SAMPLING BAG™

The brand new single-use Keofitt Sampling Bag™ is designed to collect liquid process samples in a hygienic, safe and efficient way.

Its unique and certified design allows an effective sterilization or disinfection of the complete flow prior to sampling to ensure the integrity of the sample.

The samples will be protected from any air-borne or cross contamination, as they are taken into a closed and hygienic system.

Intended for collecting and storing any samples for microbiological and chemical/physical analysis, it is an ideal solution for food/dairy/beverage/brewing applications.



*Keofitt Sampling Bag™ 1000ml.*



*Keofitt Sampling Bag™ 2000ml.*

The Keofitt Sampling Bag™ is available in two different sizes: 1000ml and 2000ml.

Keofitt Sampling Bag™ 1L - item no. 151000

Keofitt Sampling Bag™ 2L - item no. 152000

## KEY FEATURES:

- single-use multi-layer sampling bag manufactured under clean room conditions
- ready-to-use any time
- effective sterilization/disinfection of the flow path
- suitable for any liquids incl. viscous products and/or products containing solid particles with a size of up to 15mm in diameter
- suitable for ALL Keofitt valves - including W15 and W25 valves
- widely certified (EU EC 1935/2004 - EU EC 2023/2006 - EU EC 10/2011)
- various accessories available

## THIS IS HOW IT WORKS

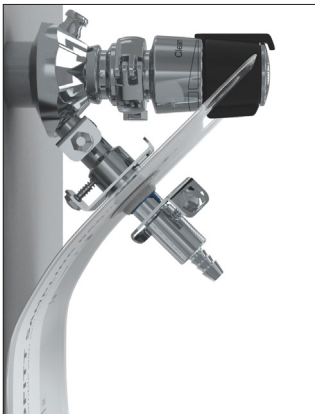


Fig. 1 Connect

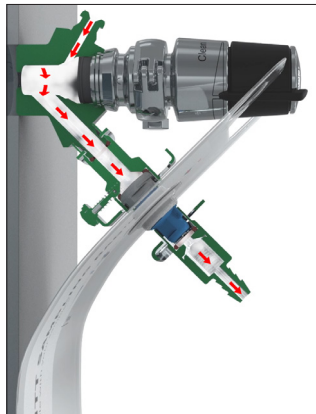


Fig. 2 Clean/Sterilization

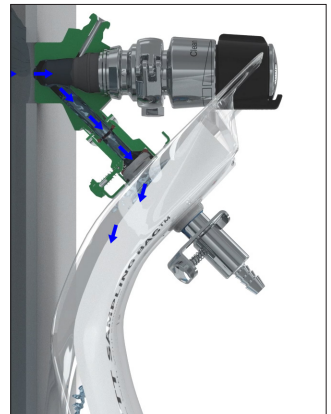


Fig. 3 Sample

1. Remove the seal from the inlet and connect the bag to the valve by using the corresponding fitting.
2. Clean/sterilize the flow path (valve and bag) through the valve inlet.
3. Open the bag and the sampling valve to take the sample.
4. Close the valve and the bag (optional: flush/clean/sterilize again)
5. Remove the bag and bring it to the lab for analyzing the sample.

