

MICRO PORT MULTI MICRO PORT 49

User Manual



DOCUMENT VERSION LOG

The table below lists previous versions of this User Manual and states the major changes between versions.

This version list is introduced in October 2015.

Version #	Version date	Major changes from previous versions
1	5 th October 2015	Complete revision and new layout.
2	23 th November 2017	Chapter 3,3 added
3	6 th March 2019	Added valve body models and accessories. Updated chapter 4, chapter 9 and chapter 11. Clarifying text in various places.

INTRODUCTION:

MANUFACTURER: Keofitt A/S
Kullinggade 31
5700 Svendborg, Denmark

TYPE: Micro Port & Multi Micro Port 49
YEAR OF INTRODUCTION: 1982/2004
YEAR OF REVISED DESIGN: -/2014
MANUAL LAST UPDATED: Mar 2019

The English version of this Manual is the governing version and it is the only authorized version. Consequently, KEOFITT cannot be held liable for other versions including translations of this Manual.

CONTENTS

1. PRESENTATION	6
1.1. Micro Port	6
1.2. Multi Micro Port 49	6
2. MICRO PORT FUNCTION	7
2.1. Micro Port	7
2.2. Multi Micro Port 49	7
3. EVERYDAY USE OF THE MICRO PORTS	9
3.1. Sampling using the Micro Port	9
3.2. Sampling using the Multi Micro Port 49	10
3.3. Vacuum ratings	10
4. TECHNICAL DATA.....	11
4.1. Material (product contact).....	11
4.2. Material (without product contact).....	11
4.3. Surface finish.....	11
4.4. Pressure and temperature.....	11
4.5. Certification.....	11
4.6. Viscosity.....	11
4.7. Weight.....	11
5. MICRO PORT MODELS	12
6. PARTS AND ACCESSORIES	13
7. MOUNTING INSTRUCTIONS.....	14
7.1. Location.....	14
7.2. Before welding	14
7.3. After welding	14
8. WELDING INSTRUCTIONS	15
8.1. Tank welding	15
8.2. Pipe welding.....	15
9. BLOCK DIAGRAMS	16
9.1. Micro Port type P, pipe (900057 or 900014).....	16
9.2 Micro Port, type T, tank (900056 and 840001).....	16
9.3 Micro Port, type Clamp (900058, 900059 and 840020)	17
9.4 Multi Micro Port, type Varivent® (840009).....	17
10. MAINTENANCE	18
10.1. Replacing septum on Micro Port.....	18
10.2. Replacing the wick.....	18
10.3. Replacing the testimonial foil and septa	18
10.4. Replacing o-rings	19
11. DATASHEETS.....	20
11.1 Butyl membrane - art. no. 900049.....	20

1. PRESENTATION

The Keofitt Micro Port and the Keofitt Multi Micro Port 49 provide an easy and hygienic solution for extracting liquid samples from a production batch. This is obtained through a thick membrane and an overall design with the purpose of eliminating all dead spaces and crevasses, where bacteria could grow. Throughout this manual “Micro Ports” designates both the single-septum “Micro Port” and the multi-septum “Multi Micro Port 49”.

The Micro Ports are designed for taking samples of low viscosity products through a septum using a hypodermic needle or a syringe with a minimum risk of contamination.

The Micro Port comes in 2 sizes, each in a number of variants as described in the following.

1.1. Micro Port

The single-septum model comes in the following 5 versions:

ITEM #	DESIGNATION	DESCRIPTION
900056	Tank	To be welded on to a tank
900057	Pipe welding 1”	To be welded on to a 1” pipe
900014	Pipe welding NW25	To be welded on to a 25 mm pipe
900059	Clamp 1/2”	Fits a 1/2” Tri-Clamp
900058	Clamp 1”	Fits a 1” Tri-Clamp

1.2. Multi Micro Port 49

This model contains 7 individual septa, allowing for many more samples to be taken from a given batch. This multi-septum model comes in the following versions:

ITEM #	DESIGNATION	DESCRIPTION
840001	Tank Welding	To be welded on to a tank
840009	Varivent Ø68	Fits a 68 mm Varivent housing
840020	Clamp 3”	Fits a 3” Tri-Clamp

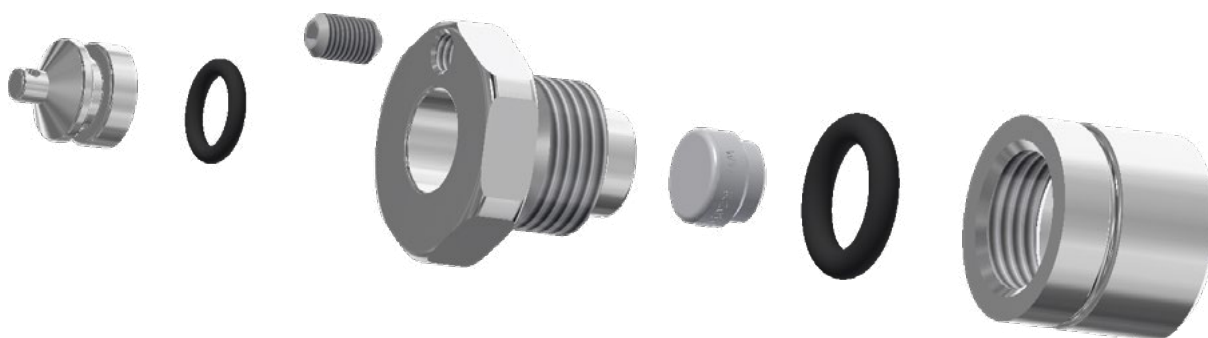
2. MICRO PORT FUNCTION

The Micro Ports are designed to regularly take representative samples in the production process by piercing a needle through a septum made from synthetic rubber.

The septum is the only barrier between the process side and the environment. Since each piercing, each sample taken, will cut into the septum, there is a limit to the number of samples that can be withdrawn through the same septum and still maintain the septum's tightness.

An important factor here is to avoid piercing the same place on the septum twice. To this end the Multi Micro Port is foreseen with a sheet steel matrix placed in front of the septum having 7 predefined piercing positions for each septum. This allows for $7 \times 7 = 49$ samples taken, all at different places on the septum.

2.1. Micro Port



The Micro Port contains one septum held in a housing (the base) and kept in place by a hex nut.

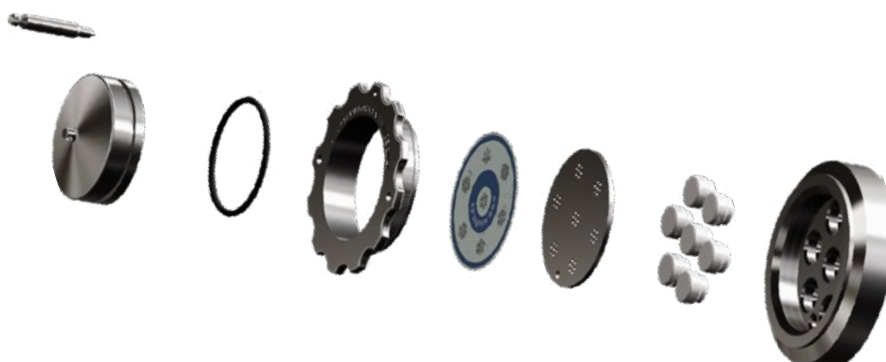
A pin screw axially positioned off-centre in the hex nut flange acts as a locking device once the hex nut is tightened to the right position.

The housing and the hex nut both have a centre hole through which you pierce the hypodermic needle or the syringe.

The hole in the hex nut is closed by means of a plug, which is temporarily removed during sampling. The plug is foreseen with an o-ring for a tight fit.

In the cavity between the plug and the septum you may place a wick soaked in alcohol or any other appropriate disinfectant to act as an additional barrier to the ambient.

2.2. Multi Micro Port 49



The Multi Micro Port 49 features 7 septa held in a housing and kept in place by an inner steel plate, which in turn is secured by a ring shaped nut.

The inner steel plate is foreseen with 7 small holes in front of each septum and as such predefining a total of 49 individual sample points. A replaceable selfadhesive plastic foil on the inner plate indicates which holes have not been used for taking samples. When piercing the needle the foil surface is broken, which is clearly visible afterwards. In this way one efficiently avoids piercing the same place twice, thus virtually eliminating the risk of leakage.

Between sampling the septum area is covered by a steel cap, featuring an o-ring for a tight fit against the inside surface of the threaded ring.

3. EVERYDAY USE OF THE MICRO PORTS

This chapter gives an introduction to how to take samples using the Micro Port and the Multi Micro Port 49 respectively.

When using a syringe or a needle other than the Keofitt Hypodermic needle, pay attention to the shape and sharpness of the tip and the thickness of the needle. Blunt tips or an inappropriate shape of the tip may cause the septum to leak prematurely. The risk of leakages will increase rapidly with needles thicker than 1.25 mm.

Avoid piercing the septum twice or even several times in the same position, as it will inevitably lead to leakages, surely depending on the thickness of the needle and the pressure on the process side.



IMPORTANT:

- All specifications regarding sampling through Micro Ports assume the use of Keofitt Hypodermic needles and Keofitt septum

3.1. Sampling using the Micro Port

To take a sample perform the following steps:

1. Remove the plug
2. Remove (unscrew) the cotton wick (if present) and discard it
3. Clean and disinfect the septum using a new wick soaked in an appropriate disinfectant
4. Discard the wick
5. Immediately after cleaning/disinfecting pierce the septum with a hypodermic needle or a syringe holding it at a slight angle relative to the axes of the Micro Port; avoid piercing the same place twice
6. Extract the required sample volume
7. Pull out the hypodermic needle or syringe
8. If an additional hygiene barrier is required, place (screw in) a new wick in the plug soaked in alcohol or another appropriate disinfectant
9. Put the plug back in place after having greased the o-ring with an appropriate lubricant for easy removal next time



IMPORTANT:

- In order to avoid penetrating the septum twice at the same place tilt the needle slightly (5-10 degrees) relative to the Micro Port axis and use a different orientation in space from sample to sample.
- If the septum starts leaking, an intermediate solution is a) to loosen the pin screw, b) tighten the hex nut up to a quarter of a turn and c) retighten the hex nut. Replace septum at next possible occasion.



WARNING:

- Be careful not to prick yourself with the needle. Note, that the Keofitt hypodermic needle has a sharp point at both ends.
- The larger the number of taken samples with each septum, the higher the danger of cross contamination and the lower the septum's ability to withstand pressure.

3.2. Sampling using the Multi Micro Port 49

The Multi Micro Port 49 is foreseen with 7 septa and a matrix of perforations (small holes guiding the needle) that determines 49 individual sampling points.

To take a sample perform the following steps:

1. Remove the cap
2. Locate a sampling position not previously used, i.e. an intact plastic foil over a perforation
3. Using a swab or similar clean and disinfect the area where you want to take the sample
4. Clean and disinfect the hypodermic needle or the syringe
5. Immediately after cleaning/disinfecting pierce the septum with the hypodermic needle or a syringe
6. Extract the required sample volume
7. Pull out the hypodermic needle or syringe
8. Put the cap back in place after having greased the o-ring with an appropriate lubricant for easy removal next time

The order in which the 49 positions are used is of no importance. However it is advisable to start out at a 12 o'clock position and then move clockwise, finishing one septum before moving on to the next. In this way it is easier to locate a new unused sampling point.

Due to the 49 individual sampling points being used only once, it is very unlikely that a septum leaks. Should it happen, tightening the threaded ring by hand would be an intermediate solution.

Irrespective of the required number of samples per batch, it is recommended to replace all 7 septum and the testimonial foil before starting a new batch.

Decision to leave both used and unused septum untouched for use during the next and possibly even later batches must be taken by the customer based on the customer's information on actual production parameters, such as temperature, pressure, chemical composition of product, time in operation etc.



WARNING:

- Be careful not to prick yourself with the needle. Note, that the Keofitt hypodermic needle has a sharp point at both ends.

3.3. Vacuum ratings

On installations where vacuum may occur temporarily, rubber membrane (butyl) are at risk of being sucked hard into the valve seat. However, the additional (closing) force from the vacuum (corresponding to max. -1 bar(g) or 0 bar(abs)) is rather small (10%), so there is no risk of damaging the membrane when the vacuum present.

Besides, attempting to take a sample via a hypodermic needle under vacuum makes no sense, since nothing will flow out, so the incident is rather improbable.

Rubber membranes will seal perfectly well against vacuum

4. TECHNICAL DATA

The following data apply to both Micro Port and Multi Micro Port 49, unless otherwise specified.

4.1. Material (product contact)

Steel parts: AISI 316L (1.4404)
Septum: Butyl IIR (Isobutylene Isoprene Rubber)

4.2. Material (without product contact)

Steel parts: AISI 316L (1.4404)
O-ring: EPDM

4.3. Surface finish

Outside: Electropolished Ra \leq 1.2 μ m
Inside & Process: Electropolished Ra \leq 0.5 μ m

4.4. Pressure and temperature

Pressure: 0-6 bar(g) / 0-87 psi(g)
Temperature: 1-110°C / 34-230°F

4.5. Certification

Steel parts: 3.1
Steel parts: Ra certificate
Septum: EU EC 1935/2004 - EU EC 2023/2006 - DK no. 822 06/2013 - FDA CFR 21 §177.2600-
USP Class VI - REACH - RoHS - ADI Free

4.6. Viscosity







Viscosity range: 0-50 cP (with only microscopic particles)

4.7. Weight

Micro Port: 0.16 kg / 0.35 lbs
Multi Micro Port 49: 0.86 kg / 1.80 lbs

5. MICRO PORT MODELS


















KEOFITT MICRO PORT

		MULTI MICRO PORT 49			
		TANK WELDING 7X BUTYL MEMBRANE	VARIVENT Ø68 7X BUTYL MEMBRANE	CLAMP 3" 7X BUTYL MEMBRANE	
					
MICRO PORT	TANK		900056	MINI CLAMP	
	PIPE WELDING 1"		900057		
	PIPE WELDING NW25		900014	VARIVENT	
		BUTYL (IIR) MEMBRANE			
MICRO PORT / MULTI MICRO PORT 49					

For further product information – material, dimensions etc. – please refer to the specific datasheet at www.keofitt.dk.

6. PARTS AND ACCESSORIES

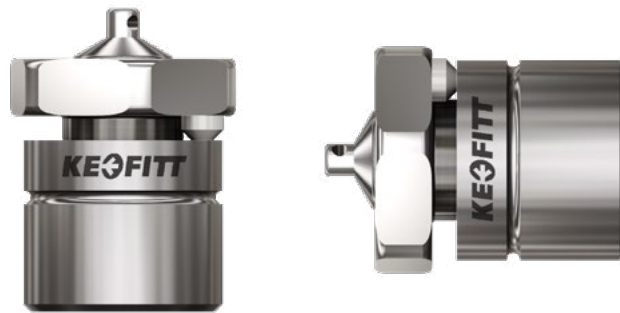
KEOFITT MICRO PORT - PARTS & ACCESSORIES

MICRO PORT PARTS & ACCESSORIES			
O-RINGS	SEPTUM	MISC.	
 900074 EPDM 3/4	 900049 BUTYL	 840055 FILM MULTI	 900087 GASKET EPDM 1/2"
 900824 EPDM 14X4		 840118 TOOL MULTI	 900091 GASKET EPDM 1"
 900825 EPDM 44.6X2.4		 900054 NEEDLE	 900093 GASKET 3" CLAMP EPDM
 400208 EPDM 60X3		 900055 WICK	 840102 INNER PLATE FOR MICRO PORT
		 900077 CHAIN	
		 900441 PLUG	
		 900075 CLAMP RING 1/2"	
		 900086 CLAMP RING 1"	

For further product information – material, dimensions etc. – please refer to the specific datasheet at www.keofitt.dk.

7. MOUNTING INSTRUCTIONS

7.1. Location



It does not matter whether the Micro Ports are installed vertically or horizontally.

Note the following when determining the position of the Micro Ports:

- Secure good flow of product in front of the septum
- Avoid dead space at the product side of the septum
- As sampling is a manual operation secure sufficient room for the operator around the Micro Port.

7.2. Before welding

The Micro Port base (housing) is the item to be welded. The cap/plug, the septum and all other components must be removed from the base before welding, as heat from the welding process will otherwise damage them.

7.3. After welding

The base is welded to the tank or pipe following the instructions in chapter 8.

Once the base has cooled off the other components must be fitted to the base, as follows:

For the Micro Port:

1. Fit the o-ring in the base
2. Put new septum in place and press firmly using clean gloves or other sanitary measures to avoid finger prints
3. Take sanitary precautions, for example run disinfectant soaked cotton wick over the septum
4. Make sure the pin screw is in place in the hex nut and protruding 1-2 mm above the hex nut's outer surface
5. Tighten the hex nut completely until the mechanical stop inside the base
6. Unscrew the Hex nut 1/4 to 1/3 of a turn
7. Turn the pin screw until it hits the base and tighten it to secure the nut from unscrewing itself

For the Multi Micro Port 49:

1. Put 7 new septum in place and press firmly using clean gloves or other sanitary measures to avoid finger prints
2. Take sanitary precautions, for example run disinfectant soaked cotton wick over the septum
3. Replace the inner plate in a way where the protruding pin on the backside of the inner plate enters into the corresponding hole in the base
4. Place the nut (threaded ring) in the base and turn clockwise until firm contact with the inner plate
5. Tighten the nut by hand a further 1/8 to 1/4 turn to assure tightness from compression of the septum
6. Replace the cap in the nut after having greased the o-ring with an appropriate lubricant

8. WELDING INSTRUCTIONS

Please consult Chapter 9 BLOCK DIAGRAMS for corresponding illustrations on welding to pipe or tank.

8.1. Tank welding

For type T (tank) it is necessary to drill a hole into the tank wall. Then fit the Micro Port base into this hole, flush with the inside of the tank. Welding should be carried out as a penetration welding.

Hole diameter for Micro Port: $\varnothing 28$ mm

Hole diameter for Multi Micro Port 49: $\varnothing 84$ mm

Tank wall thickness less than 4 mm: Weld from inside.

Tank wall thickness greater than 4 mm: Weld from both in- and outside.

Since type T has a solid bottom end, penetration welding will not damage the housing. However, the use of purge gas in either the form of Argon or Formier gas is recommended in order to give the best result.

After the complete welding process the internal weld (inside the tank) must be polished to the required surface roughness.



IMPORTANT:

- When grinding/polishing the internal weld, make sure the Micro Port seat area(s) are not touched/damaged.

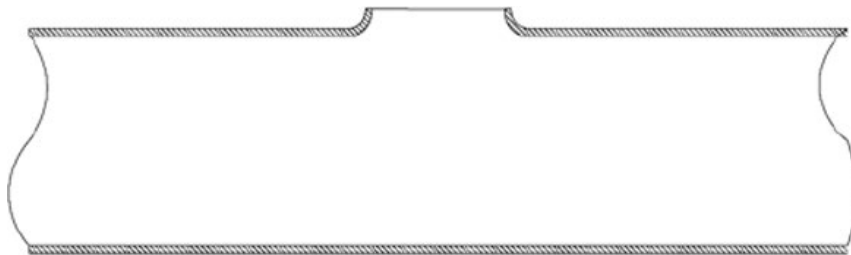
8.2. Pipe welding

For type P (pipe) penetration welding must be carried out from the outside.

Micro Port is machined with a recesslike shoulder on the outside of the tank end, which gives approximately the same material thickness (1.5mm material thickness) as in the pipe wall. This machined shoulder can be modified according to the customer's wishes.

For optimal welding result follow the method listed here:

- A collar is made on the pipe section in order the Micro Port to meet a flat contact face. This flaring must look like a T-piece, as shown in the example below.



- The pipe section and the base are sealed off with a sponge, rubber or similar.
- Purge gas such as Argon or Formier gas is fed through the base into the pipe section and the system is now filled with 6 times the estimated volume of the pipe section. All O_2 is thus expelled from the system and welding can commence.
- Welding can take place with the purge gas continually flowing in the system.
- The gas must remain in the system until the item is hand warm, after which the setup can be dismantled.

Recommended welding current is as follows:

- Micro Port welded onto a 2 mm 3" stainless steel: 40-50 Amp.
- Micro Port welded onto a 1.25 mm 2" stainless steel: approx. 30 Amp.

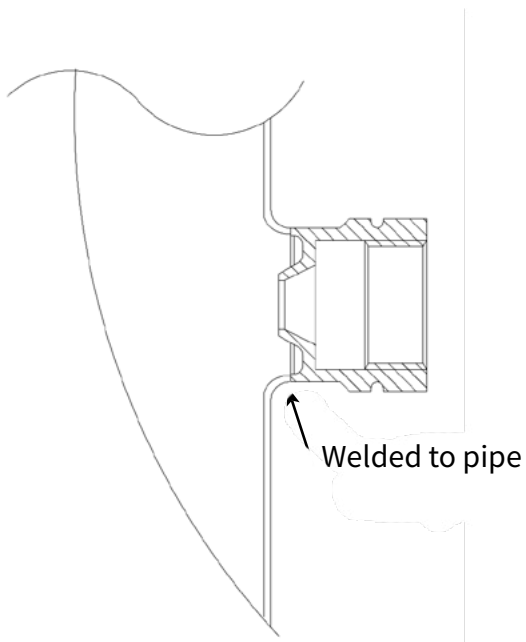


NOTE:

- Keofitt may upon request supply all P type Micro Port welded onto a pipe section according to customer specifications. Flaring is thus avoided and only an orbital (girth) weld is required.

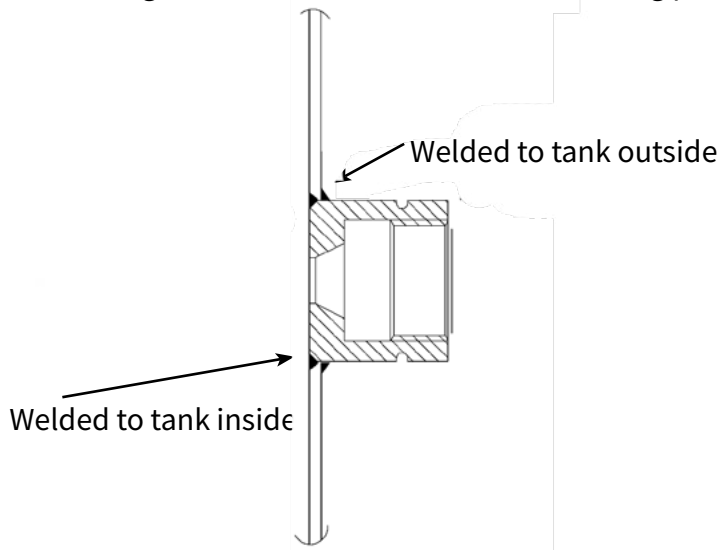
9. BLOCK DIAGRAMS

9.1. Micro Port type P, pipe (900057 or 900014)



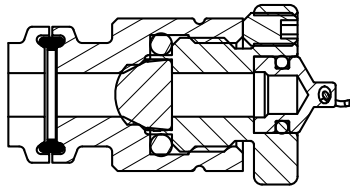
9.2 Micro Port, type T, tank (900056 and 840001)

The drawing shows the Micro Port, but the welding principles also apply to the Multi Micro Port 49.



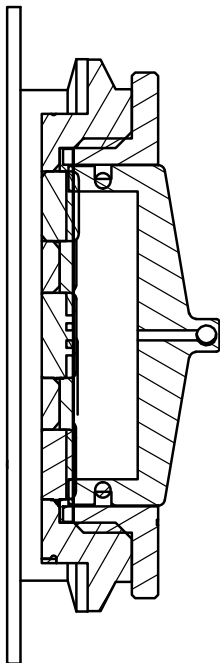
9.3 Micro Port, type Clamp (900058, 900059 and 840020)

The drawing shows the Micro Port, but the welding principles also apply to the Multi Micro Port 49.



9.4 Multi Micro Port, type Varivent® (840009)

The drawing shows the Multi Micro Port 49 but the welding principles also apply to the Micro Port.



10. MAINTENANCE

The regular maintenance consists of the following:

- Replacing septum (only Micro Port)
- Replacing wick (only Micro Port)
- Replacing the testimonial foil and septum (only Multi Micro Port)

Occasional maintenance consists of replacing worn or damaged o-rings.

10.1. Replacing septum on Micro Port

Order of operation to replace septum is as follows:

1. Make sure the process tank or the piping behind the Micro Port is empty and not under pressure
2. Remove plug and cotton wick.
3. Loosen the pin screw
4. Turn Hex nut counter clockwise to unscrew from the base.
5. Pull out old septum.
6. Put new septum in place and press firmly using clean gloves or other sanitary measures to avoid finger prints
7. Take sanitary precautions, for example run disinfectant soaked cotton wick over the septum.
8. Make sure the pin screw is in place in the hex nut and protruding 1-2 mm above the hex nut's outer surface
9. Tighten the hex nut completely until the mechanical stop
10. Unscrew the Hex nut 1/4 to 1/3 of a turn
11. Turn the pin screw until it hits the base and tighten it to secure the nut from unscrewing itself
12. Put new disinfectant soaked cotton wick in the plug (if required)
13. Replace the plug in the hex nut after having greased the o-ring with an appropriate lubricant.



WARNING:

- Never unscrew the Micro Port while the production line is in operation or under pressure
- Tightening the Hex nut too much will make piercing the septum difficult, as the septum becomes compressed and hard.

10.2. Replacing the wick

The wick is always changed in connection with the sampling procedure as explained in chapter 3.1.

Should you want to replace the wick at some other time the order of operations will be as follows:

1. Remove the plug
2. Discard the old wick
3. Put new disinfectant soaked cotton wick in the plug
4. Replace the plug in the hex nut after having greased the o-ring with an appropriate lubricant

10.3. Replacing the testimonial foil and septa

At the latest when all holes have been pierced, the selfadhesive testimonial foil must be replaced with a new one.

Follow this procedure for replacing the testimonial foil:

1. Make sure the process tank or the piping behind the Multi Micro Port 49 is empty and not under pressure
2. Remove the cap
3. Unscrew the nut (threaded ring) by hand
4. Remove out the inner plate by pulling the tommy bar after its threaded end has been screwed

- into the plate
5. Peel off the old testimonial foil
 6. Wipe the plate surface with a cloth soaked in alcohol to clean it for any adhesive residue and possible remains from the sampling procedures
 7. Place a new testimonial foil properly centred on the inner plate
 8. Pull out all 7 old septa
 9. Put 7 new septa in place and press firmly using clean gloves or other sanitary measures to avoid finger prints
 10. Take sanitary precautions, for example run disinfectant soaked cotton wick over the septum.
 11. Replace the inner plate in a way where the protruding pin on the backside of the inner plate enters into the corresponding hole in the base
 12. Place the nut (threaded ring) in the base and turn clockwise until firm contact with the inner plate
 13. Tighten the nut by hand a further 1/8 to 1/4 turn to assure tightness from compression of the septum
 14. Replace the cap in the nut after having greased the o-ring with an appropriate lubricant



WARNING:

- Never unscrew the Multi Micro Port while the production line is in operation or under pressure
- Always only tighten the ring nut by hand

10.4. Replacing o-rings

The Micro Ports contain o-rings as described here:

- O-ring between hex nut and base (Micro Port, all versions)
- O-ring in the plug (Micro Port, all versions)
- O ring in the cap (Multi Micro Port 49, all versions)
- O-ring in the Varivent flange (Multi Micro Port 49 – Varivent ø68)

Old o-rings are removed and new o-rings fitted into the groove using standard procedures for o-rings. It is recommended to grease the o-ring to the extent it is allowed in the customer's actual production.

11. DATASHEETS

11.1 Butyl membrane - art. no. 900049



10 PACK MEMBRANE BUTYL FOR MICRO PORT

ART. NO. 900049

GENERAL



KEOFITT has the widest selection of spare parts and accessories to complete your sampling system.



The patented membrane design is an essential part of the hygienic design of the KEOFIT sampling valves.



It allows for optimal exposure to CIP and SIP media while also integrating the capacity to remove the membrane from the valve head without the use of tools.



FEATURES



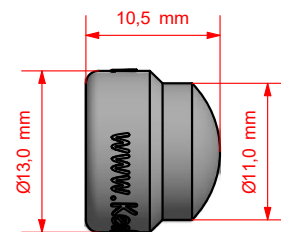
Compatible with all KEOFIT Micro Ports

CERTIFICATION*

· EU EC 1935/2004 · EU EC 2023/2006 · DK No.822 06/2013 · FDA CFR 21 §177.2600 · USP Class VI · REACH
· RoHS · ADI Free · Keofitt DoC

TECHNICAL DATA

Type:	Butyl IIR Rubber 40 Shore A, Sulphur Cured.
Color:	Light Grey/White
Hardness (Shore A):	43
Tensile strength (MPa):	11.3
Ultimate Elongation (%):	769
Specific gravity [g/m ³]	1.265
Compression set, Method B, 22h at 70°C / 158°F (%):	20
Temperature resistance (°C/°F):	-40°C - +110°C / -40°F - +230° 121°C / 249.8°F for shorter periods e.g. sterilization*
Net weight (kg/lbs):	0.02 kg/0.044 lbs
Storage recommendation:	According to ISO 2230



SERVICE TIME

The MicroPort membrane can be pierced up to 20 times and can withstand 6 bar(g) maximum pressure. Please note with higher pressure each membrane can sustain fewer piercings. The risk of cross contamination increases with number of piercings.



*For further information and download please visit keofitt.dk



Last updated 18-12-2018

Keofitt reserves the right to change technical data without notice!

For complete set of updated data sheets and manuals for Keofitt products please refer to our web page www.keofitt.dk

KEOFITT

WORLD LEADERS IN STERILE SAMPLING™

KEOFITT A/S
Kullinggade 31
DK-5700 Svendborg
Denmark

Phone +45 6316 7080
Fax +45 6316 7081

info@keofitt.dk
www.keofitt.dk

