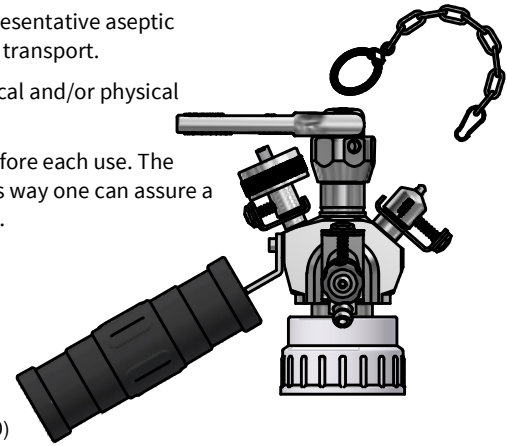


ASEPTIC SAMPLING SYSTEM 250 - 2000 ml

ART. NO. 260005

GENERAL

- The KEOFIT ASEPTIC SAMPLING SYSTEM enables the user to collect and transport a truly representative aseptic sample. The system protects the sample against airborne contamination during sampling and transport.
- The aseptic sampling system can be used for any process sampling for microbiological, chemical and/or physical analysis.
- The Aseptic sampling system must be disassembled, cleaned, autoclaved and reassembled before each use. The Aseptic System is designed to be steam sterilised once connected to the sampling valve. In this way one can assure a sterile flow path and the retrieval of a sterile sample. For further advice, please contact Keofitt.
- The aseptic sampling system is autoclavable and designed to be used with PP bottles:
#260325 (250 ml) - #260525 (1000 ml) - #260625 (2000 ml).
Bottle is not included and must be ordered separately.



FEATURES

- Compatible with TUBE PTFE 10/8 mm #900047 - included
- Operation: Lever handle (#600170)
- Inlet / Outlet: Hose piece
- Membrane: PTFE (#850055)

CERTIFICATION*

- EU EC 1935/2004 · EU EC 2023/2006 · EU EC 10/2011 · DK No. 1248 10/2018 · 3.1 Material Certificate · Ra Certificate
- ATEX 94/9/EC & 2014/34/EU · PED 2014/68/EU · FDA CFR 21 §177.1550 · USP Class VI

TECHNICAL DATA

Material (process contact)

-

Material (without process contact)

- Steel parts AISI 316L (1.4404)
- Membrane PTFE, WHITE (#850055)
- Closure Polypropylene
- Sealing ring Thermoplastic elastomer (TPE)
- O-ring EPDM, BLACK (#260159)
- Lever handle AISI 316L (1.4404)
- Stainless steel chain AISI 316L (1.4404)
- Stainless steel plug AISI 316L (1.4404)

Surface Treatment

- Outside Electropolished Ra <= 1.2 µm
- Inside (wetted surface) Electropolished Ra <= 0.5 µm

Pressure & Temperature

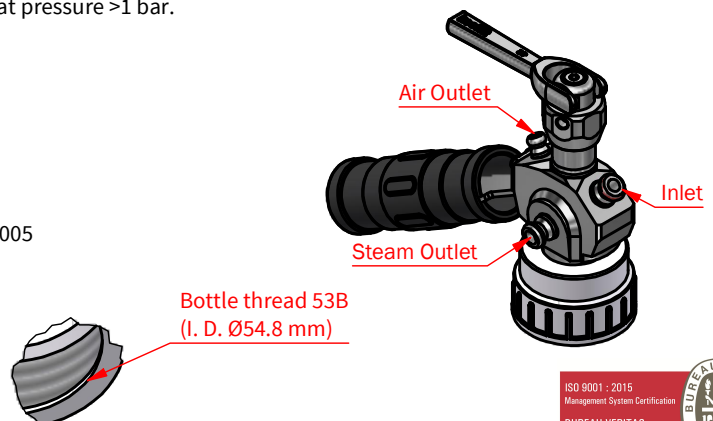
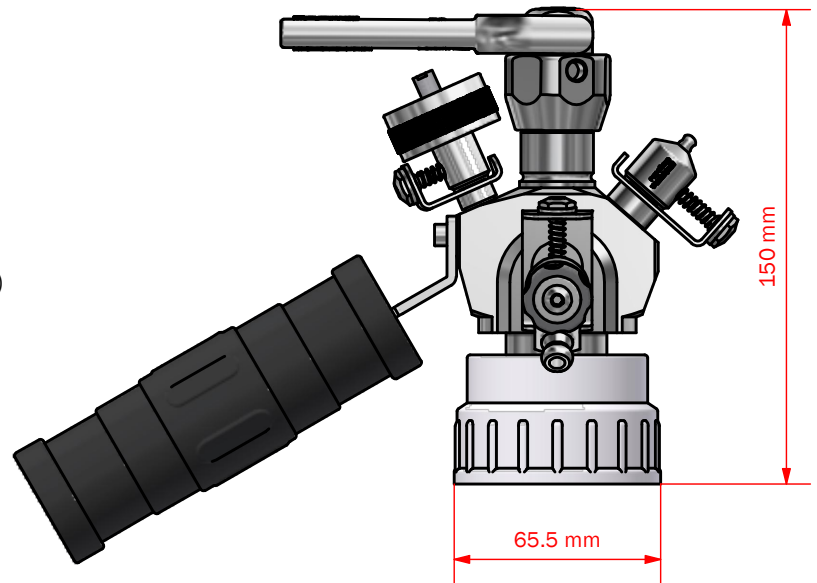
- Pressure Recommended for pressure-less flow obtained by gravity. The relief valve (#260059) opens at pressure >1 bar.
- Temperature Depending on choice of bottle.

Net Weight

- kg/lbs 1.33 kg/2.929 lbs

Spareparts

- 772605 PARTS FOR ASEPTIC SYSTEM 260005



*For further information and download please visit www.keofitt.dk

KEOFITT A/S reserves the right to change technical data without notice! Valid version of the data sheets is available on www.keofitt.dk.