



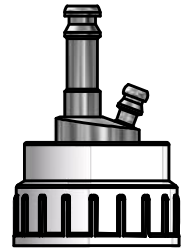


# SAMPLING BOTTLE HEAD



ART. NO. 260030

## GENERAL

-  The KEOFITT SAMPLING BOTTLE HEAD enables the user to collect and transport a truly representative sterile sample. The system protects the sample against airborne contamination during sampling and transport.
-  The sampling bottle head can be used for any process sampling for chemical and/or physical analysis.
-  The sampling bottle head must be disassembled, cleaned, autoclaved and reassembled before each use. It is designed to be steam sterilized once connected to the sampling valve. In this way one can assure a sterile flow path and the retrieval of a sterile sample. For further advice, please contact Keofitt.
-  The sampling bottle head is autoclavable and designed to be used with PP bottles:  
#260325 (250 ml) - #260525 (1000 ml) - #260625 (2000 ml).  
Bottle is not included and must be ordered separately.



## FEATURES

-  Connection: To all KEOFITT sampling valve by using a PTFE tubing w/quick coupling
-  Inlet / Air-outlet: Hose piece

## CERTIFICATION\*

· EU EC 1935/2004 · EU EC 2023/2006 · DK No. 1248 10/2018 · 3.1 Material Certificate · Ra Certificate

## TECHNICAL DATA

### Material (process contact)

### Material (without process contact)

- Steel parts                   AISI 316L (1.4404)
- Closure                        Polypropylene
- Sealing ring                 Thermoplastic elastomer (TPE)

### Surface Treatment

- Outside                        Electropolished Ra ≤ 1.2 µm
- Inside (wetted surface)    Electropolished Ra ≤ 0.5 µm

### Pressure & Temperature

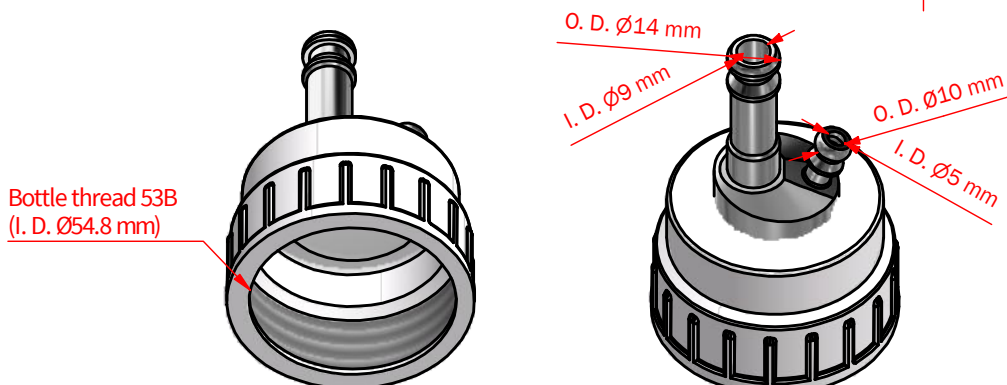
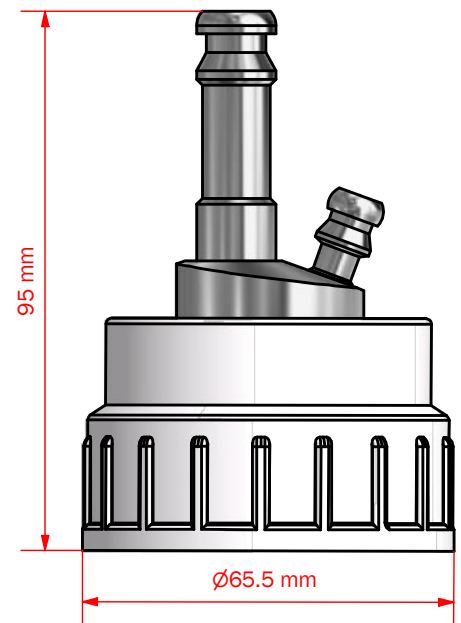
- Pressure                       Recommended for pressure-less flow obtained by gravity.
- Temperature                 Depending on choice of bottle.

### Net Weight

- kg/lbs                         0.132 kg/0.291 lbs

### Spareparts

- 260326                         CLOSURE w/O f/PP BOTTLE 250/1000/2000 ml
- 260327                         10 PACK GASKET f/CLOSURE f/PP BOTTLE 250/1000/2000 ml



\*For further information and download please visit [www.keofitt.dk](http://www.keofitt.dk)

KEOFITT A/S reserves the right to change technical data without notice! Valid version of the data sheets is available on [www.keofitt.dk](http://www.keofitt.dk).