



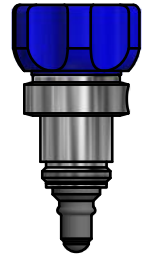


# VALVE HEAD 4KAI TYPE H

ART. NO. 440041

## GENERAL

-  The KEOFITT 4KAI Sampling Valve is our low cost sterilizable sampling valve for less demanding applications. Replaces non-hygienic sampling cocks. More than 20 different configurations available.
-  The sampling valve can be used for any process sampling for chemical and/or physical analysis.
-  **Cleaning/sterilizing:** Between batches: Valve in open position: Cleanable by means of CIP using the detergent solution suitable for the actual process media. Between samples: Valve in its normal closed position: cleanable by CIP as "Between batches" or the valve may be sterilized by means of steam SIP or chemical SIP using a procedure appropriate to the actual circumstances. For further advice, please contact Keofitt. Not recommended for autoclave due to plastic parts.
-  Designed for sampling of liquids with a viscosity of up to approx. 100 cP containing no particles larger than Ø1.5 mm. Sampling of more viscous liquids is possible, only will it take longer (depending on process pressure).



## FEATURES

-  **Installation:** Threaded socket connection M18x1.5
-  **Operation:** Turn knob - spring loaded (opens counterclockwise)
-  **Membrane:** Silicone (#400051)

## CERTIFICATION\*

- EU EC 1935/2004 · EU EC 2023/2006 · DK No. 1248 10/2018 · 3-A Certificate · ATEX 2014/34/EU
- PED 2014/68/EU · FDA CFR 21 §177.2600 · USP Class VI · Keofitt DoC

## TECHNICAL DATA

### Material (process contact)

- Membrane SILICONE, GREY (#400051)

### Material (without process contact)

- Steel parts AISI 304 (1.4307)
- Knob PA6 (Blue)

### Membrane

- Article SILICONE, GREY (#400051)
- Certification\* · EU EC 1935/2004 · EU EC 2023/2006 · DK No. 1248 10/2018 · FDA CFR 21 §177.2600 · USP Class VI · REACH · RoHS · ADI Free · Keofitt DoC

### Pressure & Temperature

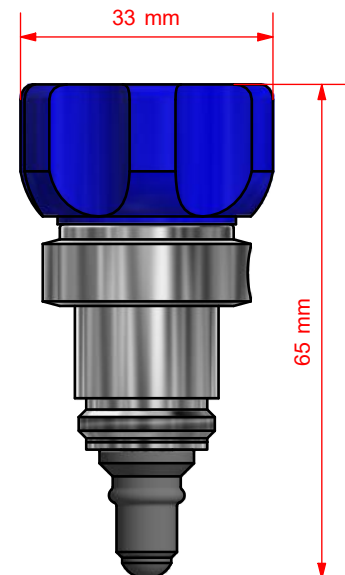
- Pressure 0 - 6 bar / 0 - 87 psi
- Temperature 1 - 130°C / 34 - 266°F
- Air supply -

### Net Weight

- kg/lbs 0.134 kg/0.296 lbs

### Spareparts

- 774441 PARTS FOR 4KAI/BASIX HEAD H



\*For further information and download please visit [www.keofitt.dk](http://www.keofitt.dk)