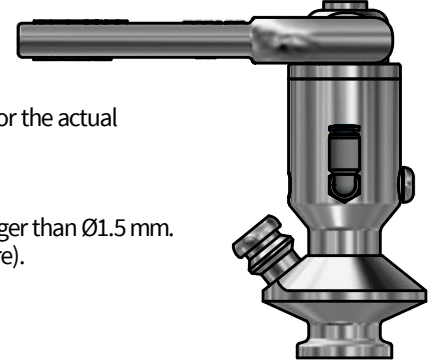


BASIX VALVE TYPE MINI TRI-CLAMP/N

ART. NO. 452144

GENERAL

- The KEOFITT BASIX Sampling Valve is our CIP-able sampling valve for less demanding applications. Replaces non-hygienic sampling cocks. More than 20 different configurations available.
- The sampling valve can be used for any process sampling for chemical and/or physical analysis.
- Cleaning: Valve in open position: Cleanable by means of CIP using the detergent solution suitable for the actual process media. For further advice, please contact Keofitt. Autoclavable.
- Designed for sampling of liquids with a viscosity of up to approx. 100 cP containing no particles larger than Ø1.5 mm. Sampling of more viscous liquids is possible, only will it take longer (depending on process pressure).



FEATURES

- Installation: Mini Tri-Clamp
DIN 32676:2009-05 Table 4 Row C
- Operation: Pneumatically operated /
Lever handle (#600170)
- Head assembly: Hand tight using a tommy bar or maximum 15 Nm. Tommy bar included (#900118).
- Outlet: Hose piece
- Membrane: Silicone (#400051)

CERTIFICATION*

- EU EC 1935/2004 · EU EC 2023/2006 · DK No. 1248 10/2018 · 3-A Certificate · 3.1 Material Certificate
- ATEX 2014/34/EU · PED 2014/68/EU · FDA CFR 21 §177.2600 · USP Class VI · Keofitt DoC

TECHNICAL DATA

Material (process contact)

- Steel parts AISI 316L (1.4404)
- Membrane SILICONE, GREY (#400051)

Material (without process contact)

- Steel parts AISI 304 (1.4307)
- Lever handle AISI 316L (1.4404)

Membrane

- Article SILICONE, GREY (#400051)
- Certification* · EU EC 1935/2004 · EU EC 2023/2006
- DK No. 1248 10/2018 · FDA CFR 21 §177.2600 · USP Class VI
- REACH · RoHS · ADI Free · Keofitt DoC

Surface Treatment

- Outside Ra <= 1.2 µm
- Inside (wetted surface) Ra <= 0.8 µm
- Process connection Ra <= 0.8 µm

Pressure & Temperature

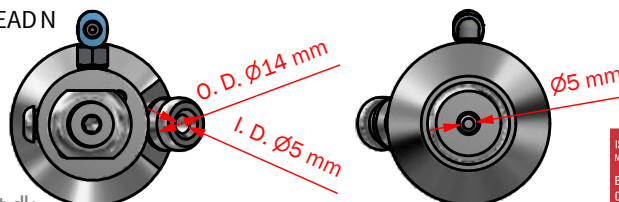
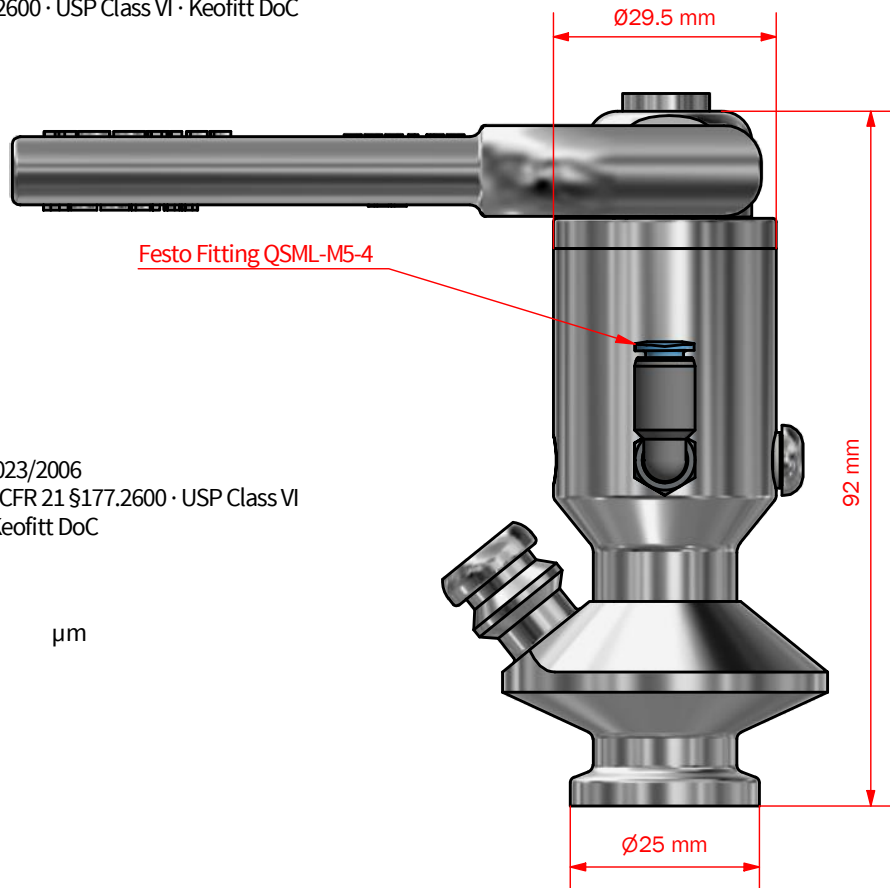
- Pressure 0 - 6 bar / 0 - 87 psi
- Temperature 1 - 130°C / 34 - 266°F
- Air supply 5 - 7 bar / 73 - 102 psi

Net Weight

- kg/lbs 0.503 kg/1.108 lbs

Spareparts

- 774444 PARTS FOR 4KAI/BASIX HEAD N



*For further information and download please visit www.keofitt.dk

KEOFITT A/S reserves the right to change technical data without notice! Valid version of the data sheets is available on www.keofitt.dk.