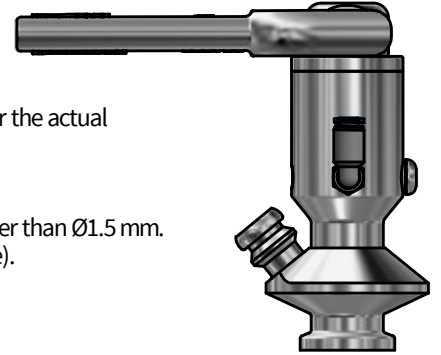


# BASIX VALVE TYPE MINI TRI-CLAMP/N PTFE

ART. NO. 452144PTFE

## GENERAL

- The KEOFIT BASIX Sampling Valve is our CIP-able sampling valve for less demanding applications. Replaces non-hygienic sampling cocks. More than 20 different configurations available.
- The sampling valve can be used for any process sampling for chemical and/or physical analysis.
- Cleaning: Valve in open position: Cleanable by means of CIP using the detergent solution suitable for the actual process media. For further advice, please contact Keofitt. Autoclavable.
- Designed for sampling of liquids with a viscosity of up to approx. 100 cP containing no particles larger than Ø1.5 mm. Sampling of more viscous liquids is possible, only will it take longer (depending on process pressure).



## FEATURES

- Installation: Mini Tri-Clamp  
DIN 32676:2009-05 Table 4 Row C
- Operation: Pneumatically operated /  
Lever handle (#600170)
- Head assembly: Hand tight using a tommy bar or maximum 15 Nm. Tommy bar included (#900118).
- Outlet: Hose piece
- Membrane: PTFE (#400055)

## CERTIFICATION\*

- EU EC 1935/2004 · EU EC 2023/2006 · EU EC 10/2011 · DK No. 1248 10/2018 · 3-A Certificate · 3.1 Material Certificate
- ATEX 2014/34/EU · PED 2014/68/EU · FDA CFR 21 §177.1550 · USP Class VI · Keofitt DoC

## TECHNICAL DATA

### Material (process contact)

- Steel parts                   AISI 316L (1.4404)
- Membrane                   PTFE, WHITE (#400055)

### Material (without process contact)

- Steel parts                   AISI 304 (1.4307)
- Lever handle                AISI 316L (1.4404)

### Membrane

- Article                        PTFE, WHITE (#400055)
- Certification\*               · EU EC 1935/2004 · EU EC 2023/2006 · EU EC 10/2011
- DK No. 1248 10/2018 · FDA CFR 21 §177.1550 · USP Class VI
- ADI Free · Keofitt DoC

### Surface Treatment

- Outside                      Ra ≤ 1.2 µm
- Inside (wetted surface)   Ra ≤ 0.8 µm
- Process connection       Ra ≤ 0.8 µm

### Pressure & Temperature

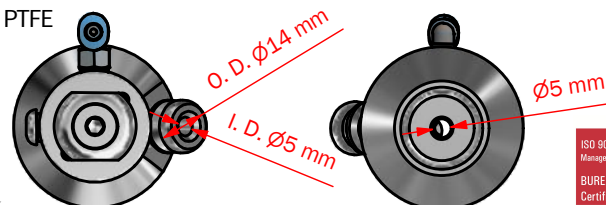
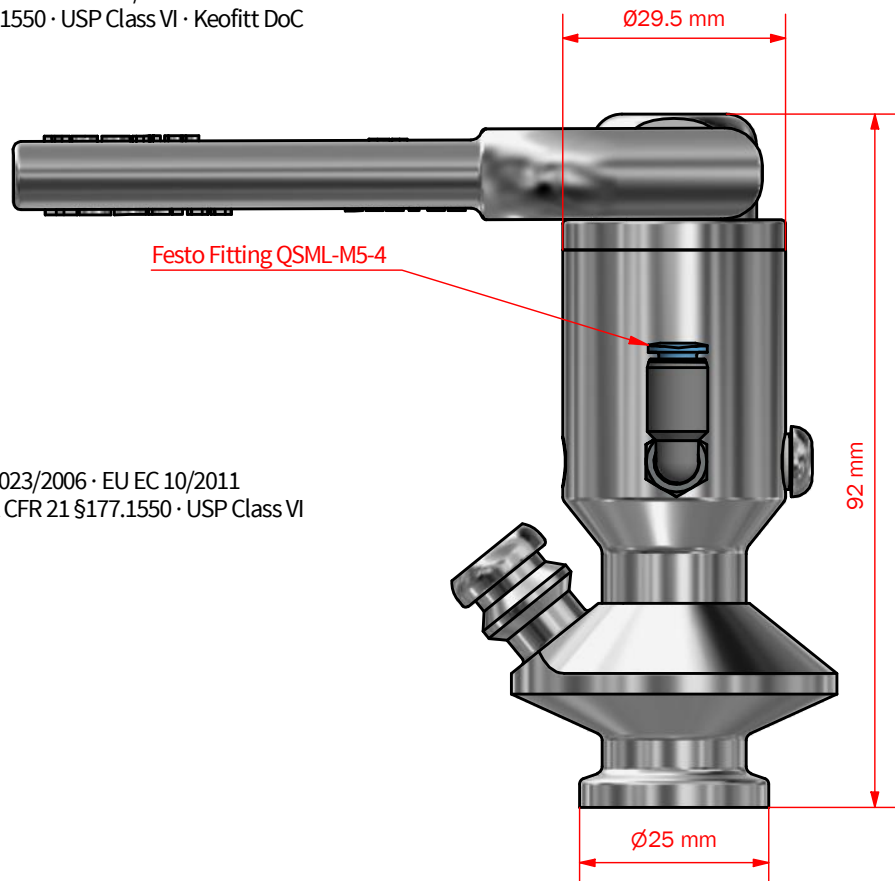
- Pressure                     0 - 6 bar / 0 - 87 psi
- Temperature               1 - 150°C / 34 - 302°F
- Air supply                   5 - 7 bar / 73 - 102 psi

### Net Weight

- kg/lbs                        0.493 kg/1.087 lbs

### Spareparts

- 774444PTFE                   PARTS FOR 4KAI/BASIX HEAD N PTFE



\*For further information and download please visit [www.keofitt.dk](http://www.keofitt.dk)

KEOFITT A/S reserves the right to change technical data without notice! Valid version of the data sheets is available on [www.keofitt.dk](http://www.keofitt.dk).