





MULTI MICRO PORT 49 TYPE T





ART. NO. 840001

GENERAL

-  The KEOFITT MULTI MICRO PORT is designed for sampling of low viscosity products using hypodermic needles or syringes. The seven (7) re-sealing rubber septums, each marked for 7 piercings, secure a minimal risk of cross-contamination. Unique serial no. for each Multi Micro Port*.
-  The MULTI MICRO PORT can be used for any process sampling for microbiological, chemical and/or physical analysis.
-  Designed for sampling of liquids with a viscosity of up to approx. 50 cP containing no particles larger than Ø0.8 mm.
-  Please note that the sealing capacity is reduced with piercing.



FEATURES

-  Installation: Tank welding
-  Operation: Manually operated.
For removal of inner plate, tool is included (#840118)
-  Recommended to be used with hypodermic needle (#900054).
-  Septum: Butyl IIR (#900049)

CERTIFICATION*

- EU EC 1935/2004 · EU EC 2023/2006 · DK No. 1248 10/2018 · 3.1 Material Certificate · Ra Certificate · PED 2014/68/EU
- FDA CFR 21 §177.2600 · USP Class VI · ADI Free · Keofitt DoC

TECHNICAL DATA

Material (process contact)

- Steel parts AISI 316L (1.4404)
- Septum Butyl IIR (LIGHT GREY/WHITE, #900049)

Material (without process contact)

- Steel parts AISI 316L (1.4404)
- O-ring EPDM, BLACK (#900825)
- Stainless steel chain AISI 316L (1.4404)

Septum

- Article Butyl IIR (LIGHT GREY/WHITE, #900049)
- Certification* · EU EC 1935/2004 · EU EC 2023/2006 · DK No. 1248 10/2018
· FDA CFR 21 §177.2600 · USP Class VI · ADI Free · Keofitt DoC

Surface Treatment

- Outside Electropolished Ra ≤ 1.2 µm
- Inside (wetted surface) Electropolished Ra ≤ 0.5 µm
- Process connection Electropolished Ra ≤ 0.5 µm

Pressure & Temperature

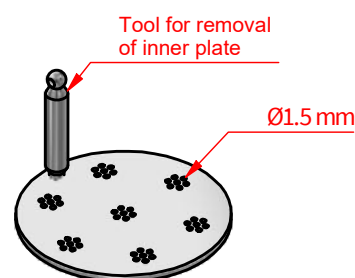
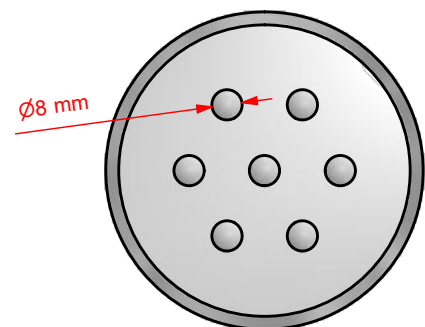
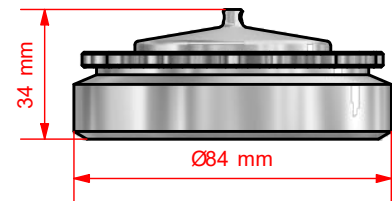
- Pressure 0 - 10 bar / 0 - 145 psi
- Temperature 1 - 110°C / 34 - 230° F
- Air supply -

Net Weight

- kg/lbs 0.845 kg/1.861 lbs

Spareparts







- 778401 PARTS FOR MULTI MICRO PORT 840001/20



*For further information and download please visit www.keofitt.dk

KEOFITT MICRO PORT

MICRO PORT		PIPE WELDING NW25	
TANK	 900056	 900057	 900014
MINI CLAMP	 900059	CLAMP 1" & 1 1/2"	VARIVENT
			 900058
			On request

MULTI MICRO PORT 49		
TANK WELDING 7X BUTYL MEMBRANE	 840001	 840009
VARIVENT 068 7X BUTYL MEMBRANE	 840001	 840009
CLAMP 3" 7X BUTYL MEMBRANE	 840001	 840002