





# MULTI MICRO PORT 49, VARIVENT Ø68





ART. NO. 840009

## GENERAL

-  The KEOFIT MULTI MICRO PORT is designed for sampling of low viscosity products using hypodermic needles or syringes. The seven (7) re-sealing rubber septums, each marked for 7 piercings, secure a minimal risk of cross-contamination. Unique serial no. for each Multi Micro Port\*.
-  The MULTI MICRO PORT can be used for any process sampling for microbiological, chemical and/or physical analysis.
-  Designed for sampling of liquids with a viscosity of up to approx. 50 cP containing no particles larger than Ø0.8 mm.
-  Please note that the sealing capacity is reduced with piercing.



## FEATURES

-  Installation: Varivent Ø68 connection
-  Operation: Manually operated.  
For removal of inner plate, tool is included (#840118)
-  Recommended to be used with hypodermic needle (#900054).
-  Septum: Butyl IIR (#900049)

## CERTIFICATION\*

- EU EC 1935/2004 · EU EC 2023/2006 · DK No. 1248 10/2018 · 3.1 Material Certificate · Ra Certificate · PED 2014/68/EU
- FDA CFR 21 §177.2600 · USP Class VI · ADI Free · Keofitt DoC

## TECHNICAL DATA

### Material (process contact)

- Steel parts                   AISI 316L (1.4404)
- Septum                        Butyl IIR (LIGHT GREY/WHITE, #900049)
- O-ring                         EPDM, BLACK (#400208)
- EU EC 1935/2004 · EU EC 2023/2006 · DK No. 1248 10/2018
- FDA CFR 21 §177.2600 · USP Class VI · ADI Free · Keofitt DoC

### Material (without process contact)

- Steel parts                   AISI 316L (1.4404)
- O-ring                         EPDM, BLACK (#900825)
- Stainless steel chain       AISI 316L (1.4404)

### Septum

- Article                         Butyl IIR (LIGHT GREY/WHITE, #900049)
- Certification\*                · EU EC 1935/2004 · EU EC 2023/2006 · DK No. 1248 10/2018
- FDA CFR 21 §177.2600 · USP Class VI · ADI Free · Keofitt DoC

### Surface Treatment

- Outside                        Electropolished Ra ≤ 1.2 µm
- Inside (wetted surface)    Electropolished Ra ≤ 0.5 µm
- Process connection        Electropolished Ra ≤ 0.5 µm

### Pressure & Temperature

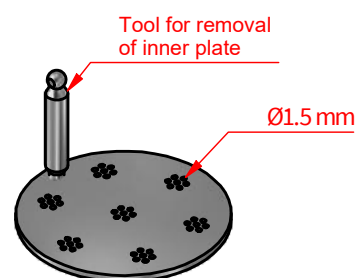
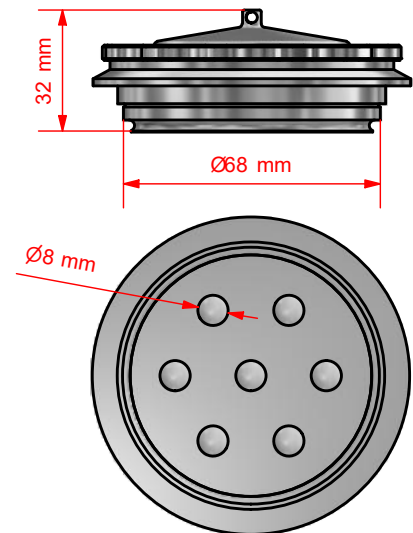
- Pressure                      0 - 10 bar / 0 - 145 psi
- Temperature                 1 - 110°C / 34 - 230° F
- Air supply                    -

### Net Weight

- kg/lbs                         0.671 kg/1.477 lbs

### Spareparts





- 778409                         PARTS FOR MULTI MICRO PORT 840009
- 400208                         10 PACK O-RING 'VARIVENT' EPDM 60 x 3



\*For further information and download please visit [www.keofitt.dk](http://www.keofitt.dk)

# KEOFITT MICRO PORT

MICRO PORT		PIPE WELDING NW25	
TANK			
	900056	900057	900014
MINI CLAMP			
	900059	900058	VARIVENT
BUTYL (IIR) MEMBRANE			

MULTI MICRO PORT 49		
TANK WELDING 7X BUTYL MEMBRANE		
	840001	840009
VARIVENT 068 7X BUTYL MEMBRANE		
	840001	840020
CLAMP 3" 7X BUTYL MEMBRANE	