

MICRO PORT VARIVENT Ø31

ART. NO. 900026

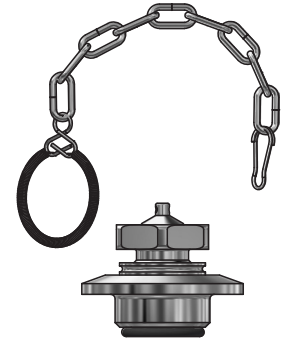
GENERAL

The KEOFITT MICRO PORT is a re-sealing rubber septum designed to take samples using hypodermic needles or syringes with minimal risk of cross-contamination. Designed for sampling low viscosity products. Unique serial no. for each Micro Port*.

The MICRO PORT can be used for any process sampling for microbiological, chemical and/or physical analysis.

Designed for sampling of liquids with a viscosity of up to approx. 50 cP containing no particles larger than Ø0.8 mm.

Please note that the sealing capacity is reduced with piercing.



FEATURES

Connection: W9 hose piece in-/outlets

Operation: Manual operated

Outlet: Fitting for 10/8 mm PTFE tube (#900047)

Septum: Butyl IIR (#900049)

CERTIFICATION*

EU EC 1935/2004 · EU EC 2023/2006 · DK No. 1248 10/2018 · 3.1 Material Certificate · PED 2014/68/EU · FDA CFR 21 §177.2600 · USP Class VI · Keofitt DoC

TECHNICAL DATA

Materials (process contact)

Steel parts: AISI 316L (1.4404)
Septum: Butyl IIR, light grey/white (#900049)
O-ring: EPDM, black (#400408)

Materials (without process contact)

Steel parts: AISI 316L (1.4404)
Stainless steel chain: AISI 316L (1.4404)
O-ring: EPDM, black (#900822 - #900824)

Septum

Article: Butyl IIR, light grey/white (#900049)
Certification*: EU EC 1935/2004 · EU EC 2023/2006 · DK No. 1248 10/2018 · FDA CFR 21 §177.2600 · USP Class VI · REACH · RoHS · ADI Free · Keofitt DoC

Surface Treatment

Outside: Electropolished Ra <= 1.2 µm
Inside (wetted surface): Electropolished Ra <= 0.5 µm
Process connection: Electropolished Ra <= 0.5 µm

Pressure & Temperature

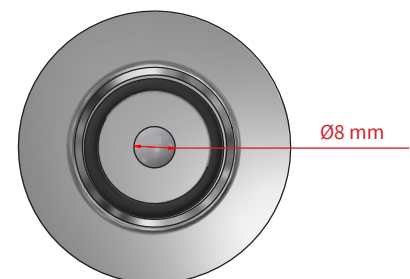
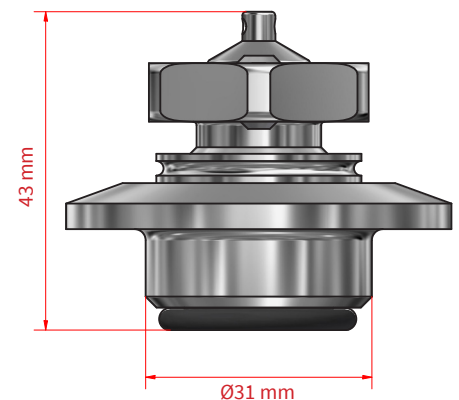
Outside: 0 - 10 bar / 0 - 145 psi
Inside: 1 - 110°C / 34 - 230°F
Air supply: n/a

Net Weight

Kg/lbs: 0.229 kg/0.505 lbs

Spareparts

400408 10 pack O-ring "Varivent" EPDM 20x3
900049 10 pack membrane butyl for Micro Port
900055 70 pack wick (Micro Port)
900077 Stainless steel chain (Micro Port)
900822 10 pack O-ring EPDM 9.3 x 2.4
900824 10 pack O-ring EPDM 14 x 4



*For further information and downloads please visit www.keofitt.dk