





MICRO PORT VARIVENT Ø50





ART. No. 900027

GENERAL

-  The KEOFIT MICRO PORT is a re-sealing rubber septum designed to take samples using hypodermic needles or syringes with minimal risk of cross-contamination. Designed for sampling low viscosity products. Unique serial no. for each Micro Port*.
-  The MICRO PORT can be used for any process sampling for microbiological, chemical and/or physical analysis.
-  Designed for sampling of liquids with a viscosity of up to approx. 50 cP containing no particles larger than Ø0.8 mm.
-  Please note that the sealing capacity is reduced with piercing.



FEATURES

-  Installation: Varivent Ø50 connection
-  Operation: Manual operated
-  Recommended to be used with hypodermic needle (#900054)
-  Septum: Butyl IIR (#900049)

CERTIFICATION*

- EU EC 1935/2004 · EU EC 2023/2006 · DK No. 1248 10/2018 · 3.1 Material Certificate
- PED 2014/68/EU · FDA CFR 21 §177.2600 · USP Class VI · Keofitt DoC

TECHNICAL DATA

Material (process contact)

- Steel parts AISI 316L (1.4404)
- Septum Butyl IIR, light grey/white (#900049)
- O-ring EPDM, black (#400308)
- EU EC 1935/2004 · EU EC 2023/2006 · DK No. 1248 10/2018
- FDA CFR 21 §177.2600 · USP Class VI · ADI Free · Keofitt DoC

Material (without process contact)

- Steel parts AISI 316L (1.4404)
- Stainless steel chain AISI 316L (1.4404)
- O-ring EPDM, black (#900822-#900824)

Septum

- Article Butyl IIR, light grey/white (#900049)
- Certification* · EU EC 1935/2004 · EU EC 2023/2006
- DK No. 1248 10/2018 · FDA CFR 21 §177.2600
- USP Class VI · REACH · RoHS · ADI Free · Keofitt DoC

Surface Treatment

- Outside Electropolished Ra <= 1.2 µm
- Inside (wetted surface) Electropolished Ra <= 0.5 µm
- Process connection Electropolished Ra <= 0.5 µm

Pressure & Temperature

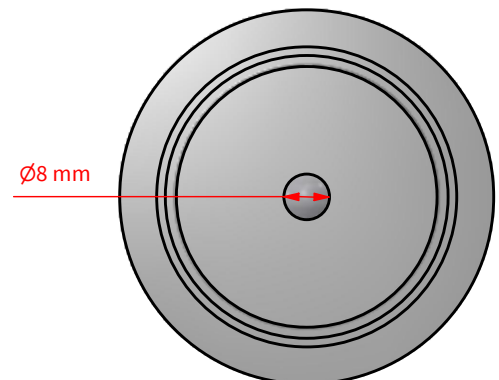
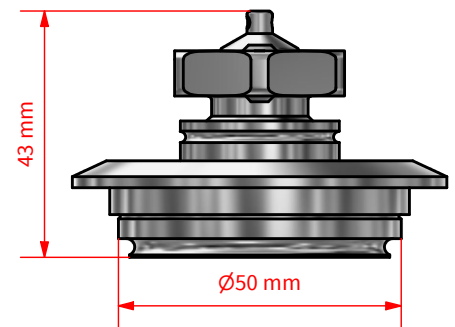
- Pressure 0 - 10 bar / 0 - 145 psi
- Temperature 1 - 110°C / 34 - 230°F
- Air supply -

Net Weight

- kg/lbs 0.387 kg/0.852 lbs

Spareparts


- 400308 10 PACK O-RING 'VARIVENT' EPDM 42 x 3
- 900049 10 PACK MEMBRANE BUTYL FOR MICRO PORT
- 900055 100 PACK WICK (MICRO PORT)
- 900077 STAINLESS STEEL CHAIN (MICRO PORT)
- 900822 10 PACK O-RING EPDM 9.3 x 2.4
- 900824 10 PACK O-RING EPDM 14 x 4






*For further information and download please visit www.keofitt.dk

KEOFITT A/S reserves the right to change technical data without notice! Valid version of the data sheets is available on www.keofitt.dk.

KEOFITT MICRO PORT

MICRO PORT			PIPE WELDING NW25
TANK	PIPE WELDING 1"	PIPE WELDING NW25	
			
900056	900057	900014	
MINI CLAMP	CLAMP 1" & 1 1/2"	VARIVENT	
			On request
900059	900058		

MULTI MICRO PORT 49			TANK WELDING 7X BUTYL MEMBRANE	VARIVENT 068 7X BUTYL MEMBRANE	CLAMP 3" 7X BUTYL MEMBRANE
					
			840001	840009	840020