





# MICRO PORT VARIVENT Ø68





ART. No. 900028

## GENERAL

-  The KEOFITT MICRO PORT is a re-sealing rubber septum designed to take samples using hypodermic needles or syringes with minimal risk of cross-contamination. Designed for sampling low viscosity products. Unique serial no. for each Micro Port\*.
-  The MICRO PORT can be used for any process sampling for microbiological, chemical and/or physical analysis.
-  Designed for sampling of liquids with a viscosity of up to approx. 50 cP containing no particles larger than Ø0.8 mm.
-  Please note that the sealing capacity is reduced with piercing.



## FEATURES

-  Installation: Varivent Ø68 connection
-  Operation: Manual operated
-  Recommended to be used with hypodermic needle (#900054)
-  Septum: Butyl IIR (#900049)

## CERTIFICATION\*

- EU EC 1935/2004 · EU EC 2023/2006 · DK No. 1248 10/2018 · 3.1 Material Certificate
- PED 2014/68/EU · FDA CFR 21 §177.2600 · USP Class VI · Keofitt DoC

## TECHNICAL DATA

### Material (process contact)

- Steel parts: AISI 316L (1.4404)
- Septum: Butyl IIR, light grey/white (#900049)
- O-ring: EPDM, black (#400208)
- EU EC 1935/2004 · EU EC 2023/2006 · DK No. 1248 10/2018
- FDA CFR 21 §177.2600 · USP Class VI · ADI Free · Keofitt DoC

### Material (without process contact)

- Steel parts: AISI 316L (1.4404)
- Stainless steel chain: AISI 316L (1.4404)
- O-ring: EPDM, black (#900822-#900824)

### Septum

- Article: Butyl IIR, light grey/white (#900049)
- Certification\*:
  - EU EC 1935/2004 · EU EC 2023/2006
  - DK No. 1248 10/2018 · FDA CFR 21 §177.2600
  - USP Class VI · REACH · RoHS · ADI Free · Keofitt DoC

### Surface Treatment

- Outside: Electropolished Ra <= 1.2 µm
- Inside (wetted surface): Electropolished Ra <= 0.5 µm
- Process connection: Electropolished Ra <= 0.5 µm

### Pressure & Temperature

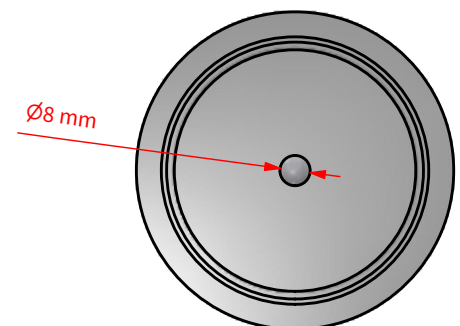
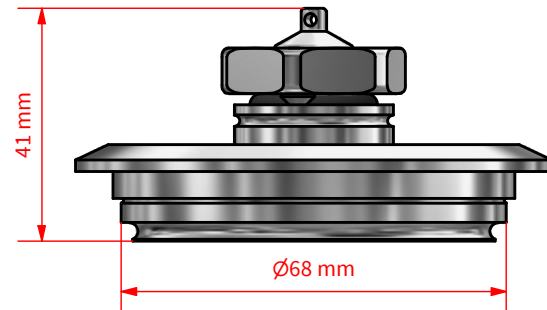
- Pressure: 0 - 10 bar / 0 - 145 psi
- Temperature: 1 - 110°C / 34 - 230°F
- Air supply: -

### Net Weight

- kg/lbs: 0.63 kg/1.388 lbs

### Spareparts


- 400208: 10 PACK O-RING 'VARIVENT' EPDM 60 x 3
- 900049: 10 PACK MEMBRANE BUTYL FOR MICRO PORT
- 900055: 100 PACK WICK (MICRO PORT)
- 900077: STAINLESS STEEL CHAIN (MICRO PORT)
- 900822: 10 PACK O-RING EPDM 9.3 x 2.4
- 900824: 10 PACK O-RING EPDM 14 x 4






\*For further information and download please visit [www.keofitt.dk](http://www.keofitt.dk)

KEOFITT A/S reserves the right to change technical data without notice! Valid version of the data sheets is available on [www.keofitt.dk](http://www.keofitt.dk).

# KEOFITT MICRO PORT

MICRO PORT			PIPE WELDING NW25
TANK	PIPE WELDING 1"	PIPE WELDING NW25	
			
900056	900057	900014	
MINI CLAMP	CLAMP 1" & 1 1/2"	VARIVENT	
			On request
900059	900058		

MULTI MICRO PORT 49			TANK WELDING 7X BUTYL MEMBRANE	VARIVENT 068 7X BUTYL MEMBRANE	CLAMP 3" 7X BUTYL MEMBRANE
					
			840001	840009	840020