





MICRO PORT TYPE T





ART. NO. 900056

GENERAL

-  The KEOFITT MICRO PORT is a re-sealing rubber septum designed to take samples using hypodermic needles or syringes with minimal risk of cross-contamination. Designed for sampling low viscosity products. Unique serial no. for each Micro Port*.
-  The MICRO PORT can be used for any process sampling for microbiological, chemical and/or physical analysis.
-  Designed for sampling of liquids with a viscosity of up to approx. 50 cP containing no particles larger than Ø0.8 mm.
-  Please note that the sealing capacity is reduced with piercing.



FEATURES

-  Installation: Tank welding
-  Operation: Manually operated
-  Recommended to be used with hypodermic needle (#900054).
-  Septum: Butyl IIR (#900049)

CERTIFICATION*

- EU EC 1935/2004 · EU EC 2023/2006 · DK No. 1248 10/2018 · 3.1 Material Certificate · Ra Certificate · PED 2014/68/EU
- FDA CFR 21 §177.2600 · USP Class VI · ADI Free · Keofitt DoC

TECHNICAL DATA

Material (process contact)

- Steel parts AISI 316L (1.4404)
- Septum Butyl IIR (LIGHT GREY/WHITE, #900049)

Material (without process contact)

- Steel parts AISI 316L (1.4404)
- O-ring EPDM, BLACK (#900825)
- Stainless steel chain AISI 316L (1.4404)

Septum

- Article Butyl IIR (LIGHT GREY/WHITE, #900049)
- Certification* · EU EC 1935/2004 · EU EC 2023/2006 · DK No. 1248 10/2018
· FDA CFR 21 §177.2600 · USP Class VI · ADI Free · Keofitt DoC

Surface Treatment

- Outside Electropolished Ra ≤ 1.2 µm
- Inside (wetted surface) Electropolished Ra ≤ 0.5 µm
- Process connection Electropolished Ra ≤ 0.5 µm

Pressure & Temperature

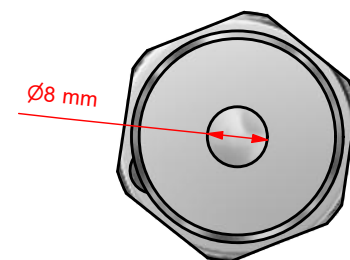
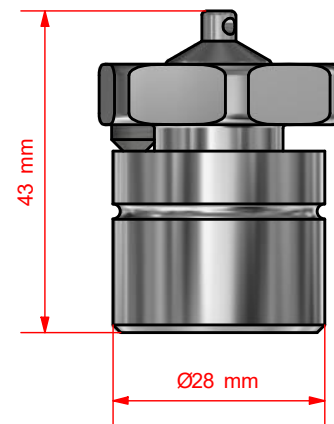
- Pressure 0 - 10 bar / 0 - 145 psi
- Temperature 1 - 110°C / 34 - 230° F
- Air supply -

Net Weight

- kg/lbs 0.161 kg/0.354 lbs

Spareparts







- 779056 PARTS MICROPORT 900014/56/57/58/59



*For further information and download please visit www.keofitt.dk

KEOFITT MICRO PORT

MICRO PORT		PIPE WELDING NW25	
TANK			
	900056	900057	900014
MINI CLAMP			
	900059	900058	VARIVENT
BUTYL (IIR) MEMBRANE			

MULTI MICRO PORT 49		
TANK WELDING 7X BUTYL MEMBRANE		
	840001	840009
VARIVENT 068 7X BUTYL MEMBRANE		
	840009	840020
CLAMP 3" 7X BUTYL MEMBRANE		
	840001	840020